



Eldorado.

The Foundation for Memorable Spaces.



A HEADWATERS COMPANY

Welcome to **Eldorado.**



WHERE BELIEVABILITY MATTERS. For over 45 years, Eldorado Stone has demonstrated an undeniable passion for creating authentic products that not only elevate quality and design, but also attainability. We invite you to explore our unique collections of handcrafted products. *What memorable space will you create?*





INSPIRATION GALLERY 4

ELDORADO STONE® 42
Nationwide Profiles 44
Eastern Profiles 58
Western Profiles 62
Northwestern Profiles 68
Architectural Accents & Accessories 72

ELDORADO BRICK® 76
Nationwide Profiles 78

ELDORADO FIREPLACE SURROUNDS 80
Fireplace Surrounds 84
Mantel Shelves 92
Hearth Stones & Riser Blocks 94

ELDORADO OUTDOOR™ 96
Fire Bowls 98
Fireplaces & Fire Pits 104
Cabinets & Accessories 108
Signature Kitchens 114

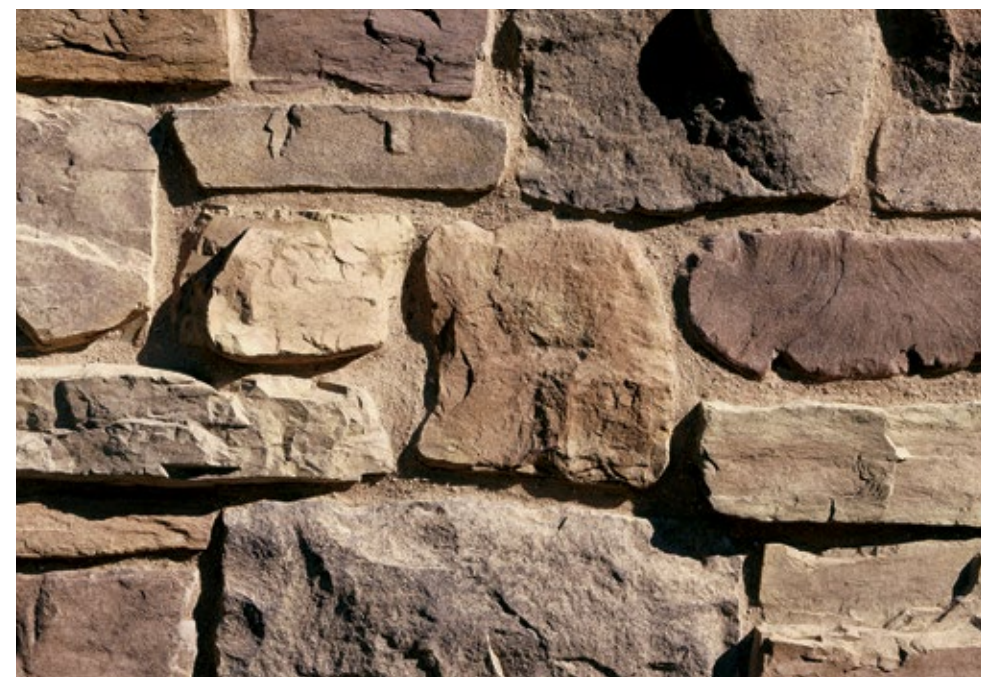
ELDORADO PROFILE SIZES 118



DREAM HOMES DON'T JUST HAPPEN,
THEY'RE BUILT ON A FOUNDATION OF
CRAFTSMANSHIP AND TIMELESS DESIGN.



Inspiration
Gallery







Willow Shadow Rock (pg. 61) with a dry-stack grout technique.



Bracciano RomaBrick (pg. 78) with an overgrout technique.

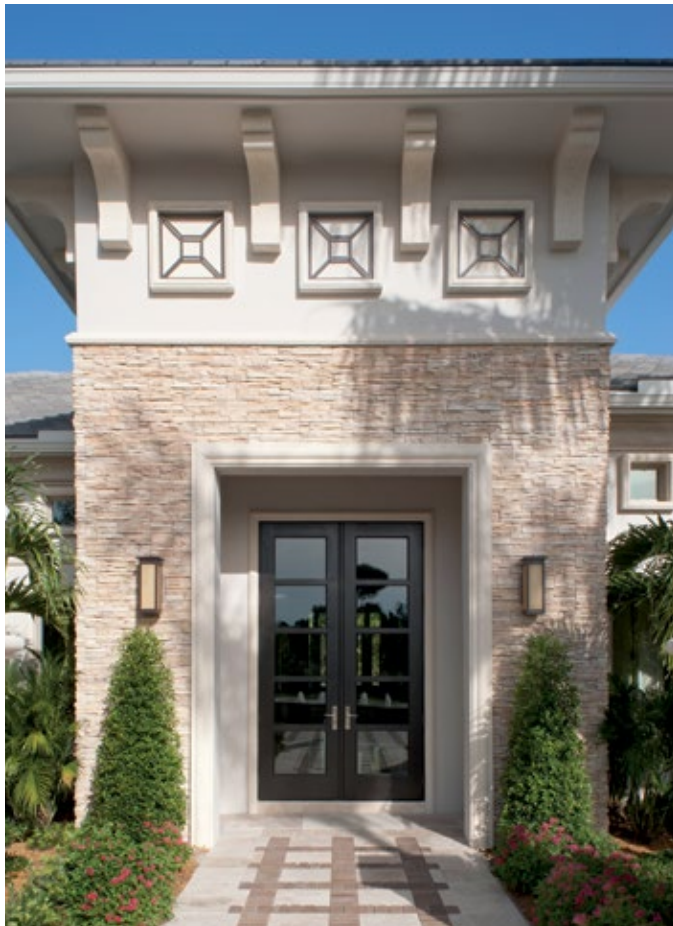


CONSIDER THE FIREPLACE,
POSSIBLY THE MOST DRAMATIC
SPACE IN ANY HOME. SUCH BEAUTY
DESERVES AN ELEGANT FRAME.



The Soho Boutique Eldorado Fireplace Surround in Oyster Shell with Honed Finish (pg. 91) shown installed with Eldorado Stone Birch LedgeCut33 (pg. 52) using a dry-stack grout technique.





Bathroom: Pearl White CoastalReef (pg. 45) with dry-stack grout technique;
Exterior & patio: Dry Creek Stacked Stone (pg. 57) with dry-stack grout technique.
© 2014 David Durbak Photography



SOME ROOMS SIMPLY EXIST.
OTHERS BECKON YOU TO NEVER LEAVE.

















STONE, AS TIMELESS AS LIFE'S
MOST ENDURING MOMENTS.

—◆—









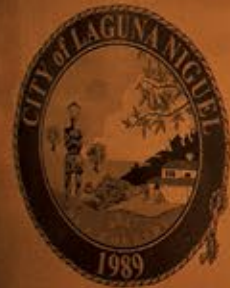
LAGUNA NIGUEL CITY HALL

DEDICATED OCTOBER 15, 2011

CITY COUNCIL

- Gary Capata, Mayor
- Paul Glaab, Mayor Pro Tem
- Joe Brown, Council Member
- Linda Lindholm, Council Member
- Robert Ming, Council Member

Tim Casey, City Manager



LPA, Inc.
Architect

C.W. Driver
Construction Manager

IMAGINE A PLACE YOU CAN
LOSE YOURSELF EVERY NIGHT.



BEFORE



AFTER



Before & after cottage family room created using **The Carmela** Eldorado Fireplace Surround in **Oyster Shell** with **Honed Finish** (pg. 86) shown installed with Eldorado Stone **Andante Fieldledge** (pg. 49) using a standard grout technique.



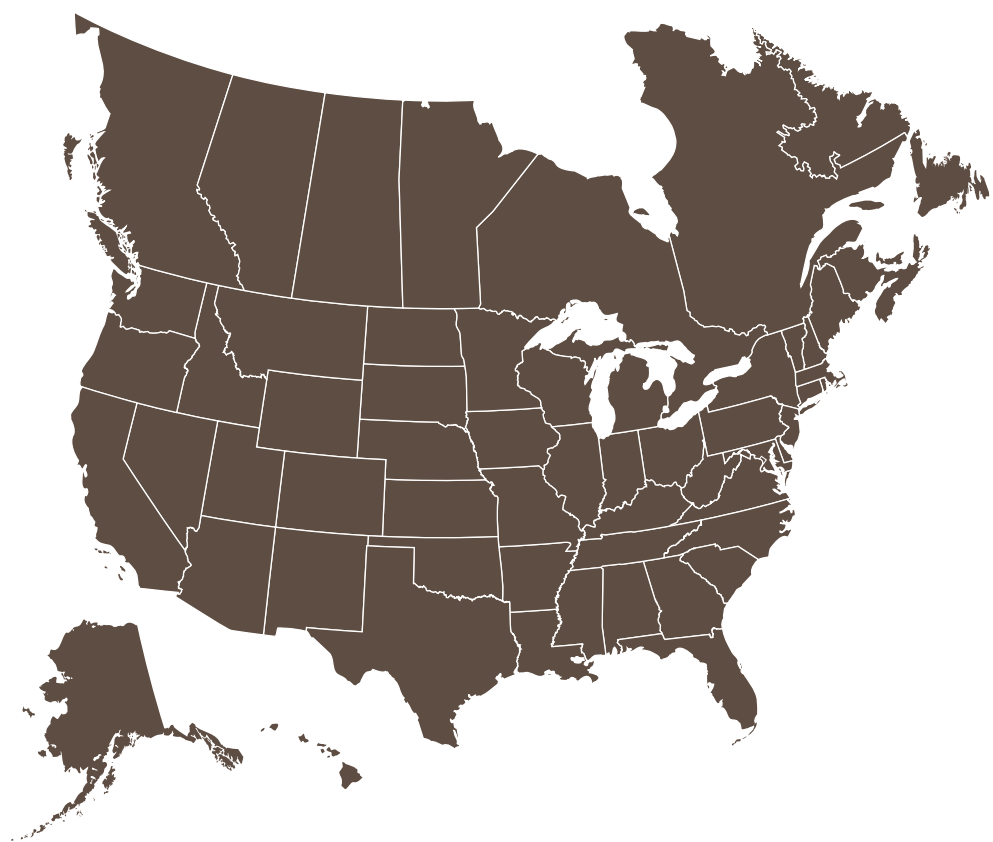
**Eldorado
Stone**

THE MOST BELIEVABLE ARCHITECTURAL
STONE VENEER IN THE WORLD®



Believability is at the very core of our company philosophy. For more than 40 years, Eldorado Stone has been refining the art of architectural stone veneer. When you set your eyes on Eldorado Stone, it looks authentic, natural and—most of all—believable. Take a closer look at Eldorado Stone and you'll see the difference: unmatched depth and variation of colors, crisp textural details and one of the most extensive selections of stone profiles & colors in the world.

Nationwide Stone Veneer



NATIONWIDE PROFILES are among our most popular stones and are available coast to coast, transcending geography. Whether you're remodeling a farmhouse in Pennsylvania, building a lodge in Colorado, restoring a ranch in Arizona or renovating a coastal home in California, there's a Nationwide profile—or combination of Nationwide profiles—for the job.

For product availability outside the Continental United States & Canada, visit www.eldoradostone.com to find your local distributor.

- ▶ **NATIONWIDE** | Pg. 44-57
- EASTERN** | Pg. 58-61
- WESTERN** | Pg. 62-67
- NORTHWESTERN** | Pg. 68-71

Ashlar



Santa Barbara Ashlar

CoastalReef™

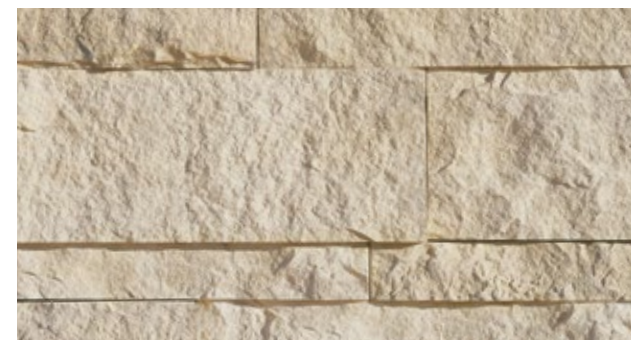


Pearl White CoastalReef

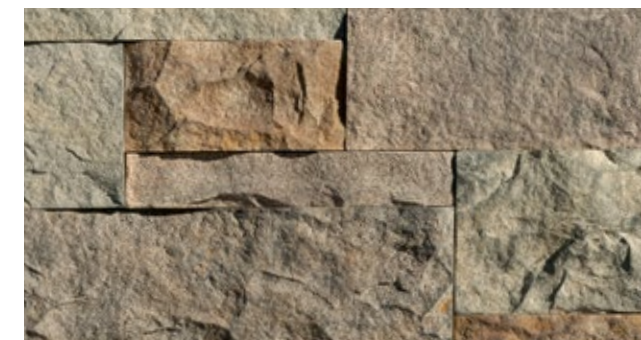


Sanibel CoastalReef

Cut Coarse Stone™



Oyster Cut Coarse Stone



Madrona Cut Coarse Stone



Bluffstone™



Bodega Bluffstone



Coos Bay Bluffstone



La Plata Bluffstone



Mineret Bluffstone



Prescott Bluffstone

Cliffstone®



Barley Cliffstone



Cambria Cliffstone



Lantana Cliffstone



Manzanita Cliffstone



Mesquite Cliffstone



Montecito Cliffstone



Country Rubble™



Bella Country Rubble



Capri Country Rubble



Cognac Country Rubble



Polermo Country Rubble

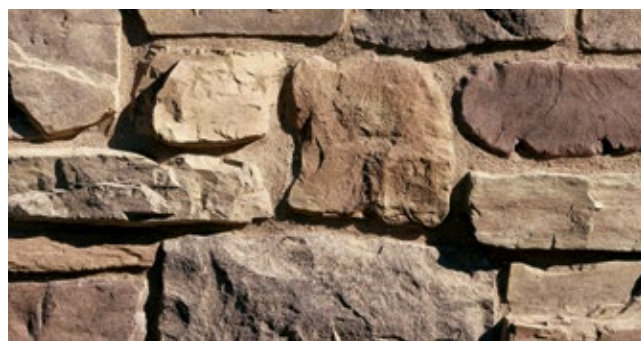
Cypress Ridge™



Catania Cypress Ridge



Countryside Cypress Ridge



Orchard Cypress Ridge



Santa Maria Cypress Ridge

Fieldledge™



Andante Fieldledge



Meseta Fieldledge



Padova Fieldledge



Veneto Fieldledge

Hillstone™



Bergamo Hillstone



Lucera Hillstone



Verona Hillstone



Limestone



San Marino Limestone



Savannah Limestone



York Limestone

Mountain Ledge Panels



Pioneer Mountain Ledge Panels



Russet Mountain Ledge Panels



Silverton Mountain Ledge Panels



Whiskey Creek Mountain Ledge Panels

Mountain Ledge



Bitterroot Mountain Ledge



Durango Mountain Ledge



Mesa Verde Mountain Ledge



Sierra Mountain Ledge



Yukon Mountain Ledge



European Ledge™



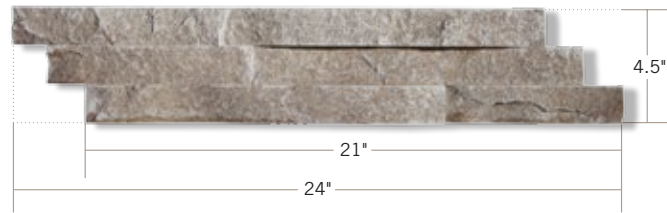
Cottonwood European Ledge



Iron Mill European Ledge

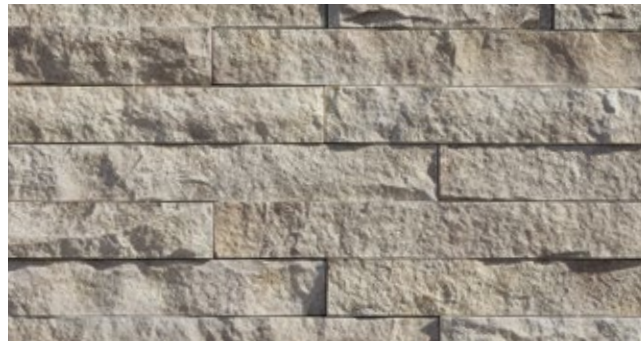


Oakmont European Ledge

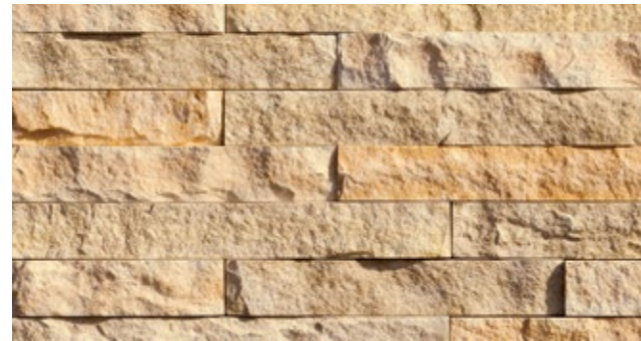


European Ledge creates a perfect fusion of old-world stonework and modern design. The 1.5" precision-cut ledge stones are molded into 4.5" h x 24" w panels. The stair stepped edge creates a tight-fit, eliminating unsightly vertical joints.

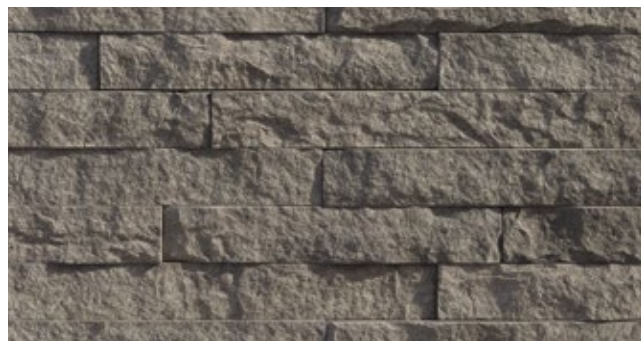
LedgeCut33™



Birch LedgeCut33



Golden Oak LedgeCut33



Sage LedgeCut33

Marquee Limestone



Sanderling Marquee Limestone



From refined residences to modern skyscrapers, limestone is an essential element of ageless style. **Marquee Limestone** is a new interpretation of this architectural powerhouse offered in sleek 12" x 24" stone veneer with the authentic textures and subtle hues of natural cut limestone.



River Rock



Colorado River Rock



Rio Grande River Rock



Yakima River Rock

RoughCut®



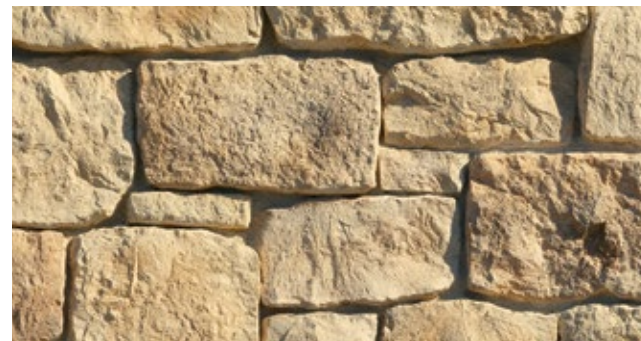
Autumn Leaf RoughCut



Moonlight RoughCut



Vineyard Trail RoughCut



Wheatfield RoughCut

Rustic Ledge®



Cascade Rustic Ledge



Clearwater Rustic Ledge

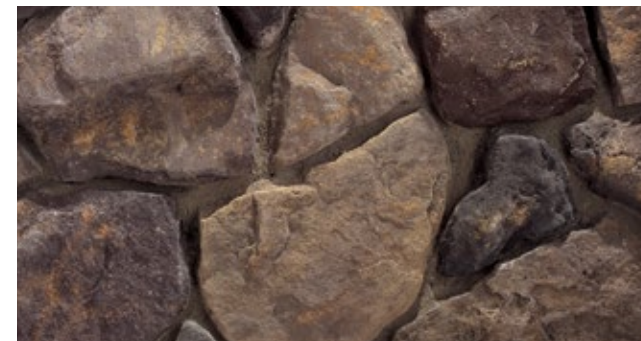


Sawtooth Rustic Ledge



Sequoia Rustic Ledge

Top Rock



Dakota Top Rock



La Quinta Top Rock



Montana Top Rock



Shadow Rock



Bronze Shadow Rock



Chesapeake Shadow Rock



Shenandoah Shadow Rock



Somerset Shadow Rock



Teton Shadow Rock

Stacked Stone



Alderwood Stacked Stone



Black River Stacked Stone



Castaway Stacked Stone



Chapel Hill Stacked Stone



Dry Creek Stacked Stone



Nantucket Stacked Stone



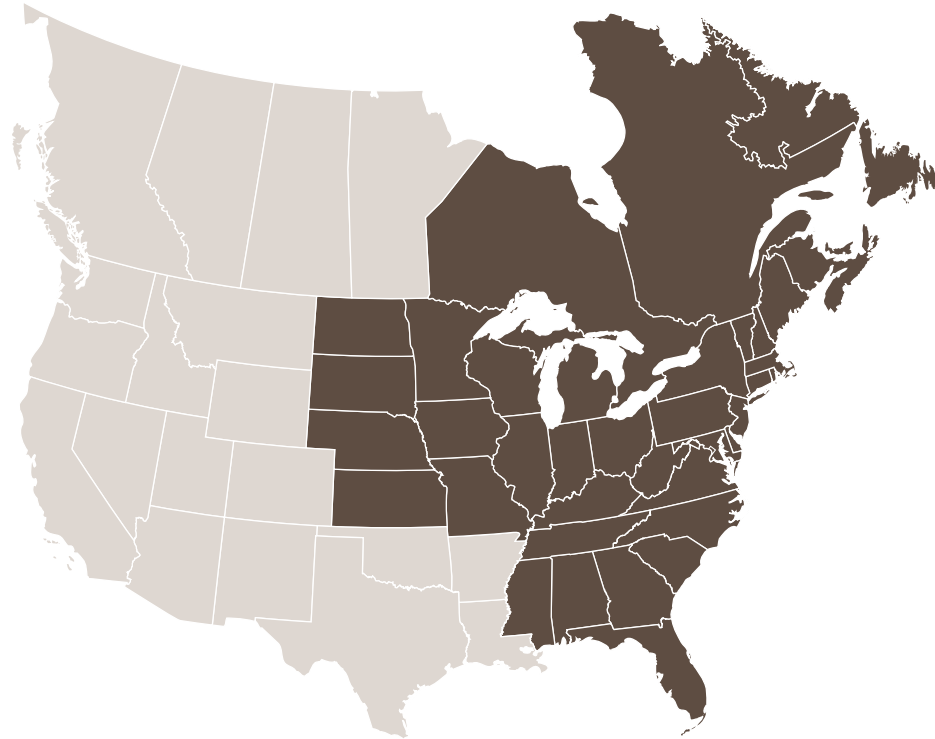
Pagosa Springs Stacked Stone



Santa Fe Stacked Stone



Eastern Regional Stone Veneer



- | | |
|----------------------|----------------|
| Alabama | Missouri |
| Connecticut | Nebraska |
| Delaware | New Hampshire |
| District of Columbia | New Jersey |
| Florida | New York |
| Georgia | North Carolina |
| Illinois | North Dakota |
| Indiana | Ohio |
| Iowa | Pennsylvania |
| Kansas | Rhode Island |
| Kentucky | South Carolina |
| Maine | South Dakota |
| Maryland | Tennessee |
| Massachusetts | Vermont |
| Michigan | Virginia |
| Minnesota | West Virginia |
| Mississippi | Wisconsin |

THE EASTERN REGION has a rich tradition of building with stone since colonial times. The abundance of raw materials found in the region benefited the skilled stone masons who immigrated here, particularly those from Scotland, Germany, Italy and the Scandinavian countries. The Eastern Regional Profiles—Mountain Ledge, Country Rubble, Limestone, Shadow Rock, among others—respect the shapes, textures and color palettes of the region.

For product availability outside the Eastern United States & Eastern Canada, visit www.eldoradostone.com to find your local distributor. Regional profiles available in states & provinces indicated above; additional shipping charges apply if ordered outside this region.

- NATIONWIDE | Pg. 44-57
- ▶EASTERN | Pg. 58-61
- WESTERN | Pg. 62-67
- NORTHWESTERN | Pg. 68-71



Olive Grove Bluffstone



Woodlands Bluffstone



Eastridge Castle Stone



Banff Springs Cliffstone



Millstream Country Rubble



River Gorge Country Rubble

Bluffstone™

Cliffstone®

Country Rubble™



Limestone



Bridgeport Limestone



New Haven Limestone



Brunello RoughCut



Falling Spring RoughCut

RoughCut™

Mountain Ledge



Chestnut Ridge Mountain Ledge



Asheville Mountain Ledge



Crescent Peak Shadow Rock



Willow Shadow Rock

Shadow Rock



Charleston Mountain Ledge



Lexington Mountain Ledge

Stacked Stone



Dark Rundle Stacked Stone

Weather Edge™



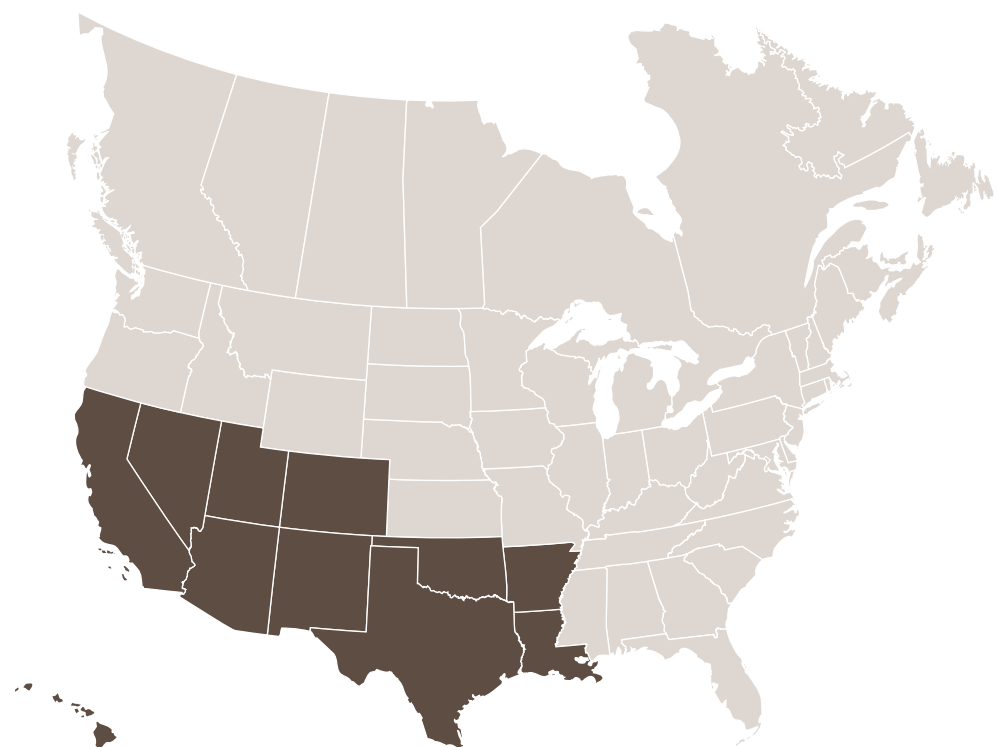
Amber Falls Weather Edge



Walnut Ridge Mountain Ledge



Western Regional Stone Veneer



Arizona
Arkansas
California
Colorado
Hawaii
Louisiana
Nevada
New Mexico
Oklahoma
Texas
Utah

THINK OF THE AMERICAN WEST and what comes to mind? Buildings made of stone that almost blend in with the landscape, sprawling ranch-style homes, coastal cottages and Spanish Revival architecture with breezeways that welcome the elements. Western Regional Profiles capture the shapes, textures and distinctive color palettes found in this diverse landscape.

For product availability outside the Western United States, visit www.eldoradostone.com to find your local distributor. Regional profiles available in states & provinces indicated above; additional shipping charges apply if ordered outside this region.

NATIONWIDE | Pg. 44-57
EASTERN | Pg. 58-61
▶WESTERN | Pg. 62-67
NORTHWESTERN | Pg. 68-71

Coarsed Stone™



Santa Barbara Coarsed Stone

Coastal Ledge™



Santa Cruz Coastal Ledge

Country Rubble™

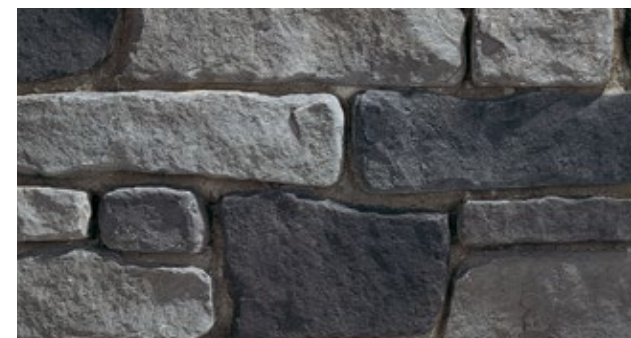


Bordeaux Country Rubble



Tuscany Country Rubble

Cobblestone



Coal Canyon Cobblestone

Fieldledge™



Umbria Fieldledge



Hillstone®



Molano Hillstone

LedgeCut33™



Dune LedgeCut33



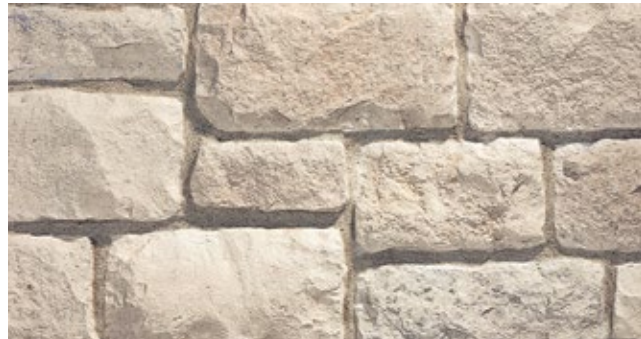
Buckskin Mountain Ledge

Mountain Ledge



Shasta Mountain Ledge

Limestone



Austin Cream Limestone



Castillo Limestone



Pinetop Rustic Ledge

Rustic Ledge®



Saddleback Rustic Ledge



Shilo Limestone



Saratoga Rustic Ledge



Stacked Stone



Desert Shadow Stacked Stone



Mountain Blend Stacked Stone



Slate Gray Stacked Stone

Weather Edge™



Napa Valley Weather Edge

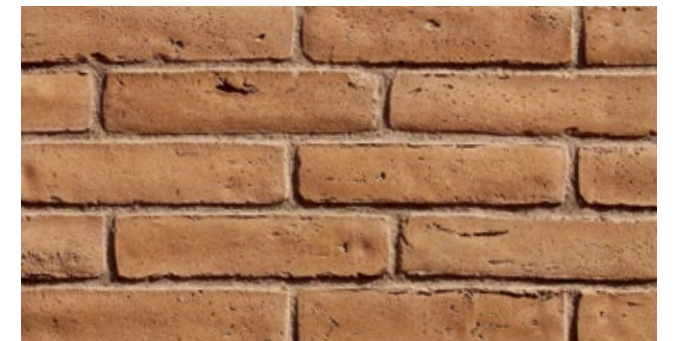


Eldorado Adobe is the perfect material to give your project a timeless Southwestern charm with the same quality and believability you've come to expect from Eldorado Stone.

Capistrano Adobe



Bautista Capistrano Adobe



Carmelo Capistrano Adobe

Wall Caps



Wall Caps approx. 3.5" thick.
Available in 2 sizes:
16" L x 12" D
15.5" L x 7.5" D

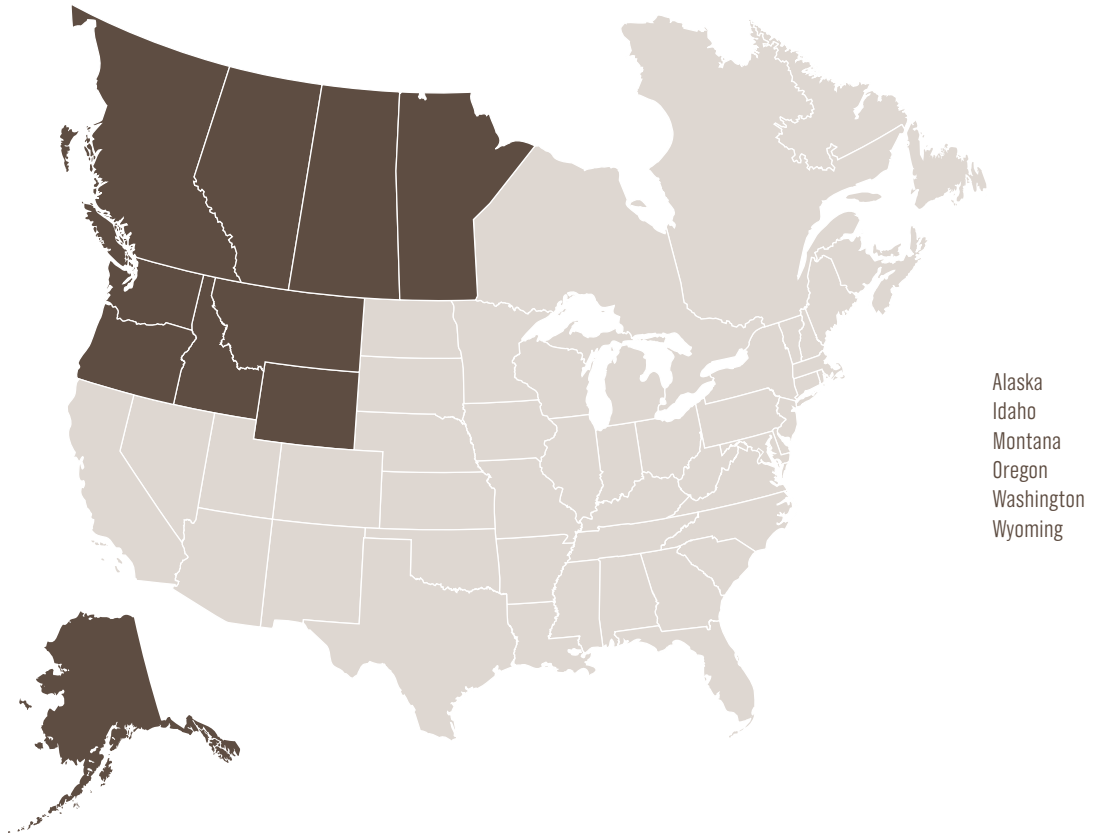
Camino Adobe



Solano Camino Adobe



Northwestern Regional Stone Veneer



Alaska
Idaho
Montana
Oregon
Washington
Wyoming

THE GEOLOGY OF THE PACIFIC NORTHWEST is generally characterized by dark, rich tones. These deep hues set against the lush green landscape make for an inviting natural contrast. The Northwestern Regional profiles honor the architecture by producing stone types respective of the region.

For product availability outside the Northwestern United States & Western Canada, visit www.eldoradostone.com to find your local distributor. Regional profiles available in states & provinces indicated above; additional shipping charges apply if ordered outside this region.

- NATIONWIDE | Pg. 44-57
- EASTERN | Pg. 58-61
- WESTERN | Pg. 62-67
- NORTHWESTERN | Pg. 68-71



K-West Broken Top



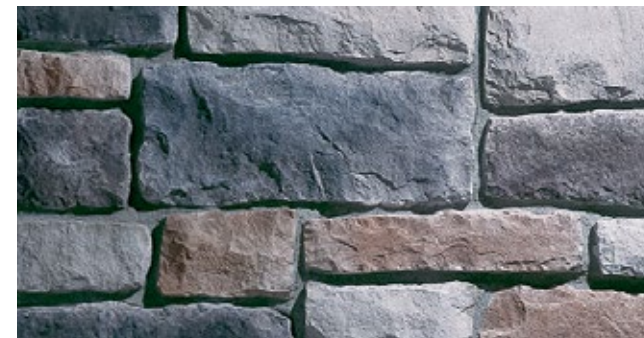
Willamette Broken Top



Banff Springs Cliffstone



Coal Canyon Cobblestone



Mount Saint Helens Limestone



Black Bear Mountain Ledge



Mountain Ledge Panels



Bow Valley Mountain Ledge Panels



Warm Springs Mountain Ledge Panels

RoughCut®



Brunello RoughCut

Stacked Stone



Dark Rundle Stacked Stone



Slate Gray Stacked Stone



Coal Canyon Cobblestone (pg. 69) with a standard grout technique shown with Architectural Accents Chiseled Edge Column & Wall Caps in Smoke (pg. 74).



Architectural Accents & Accessories

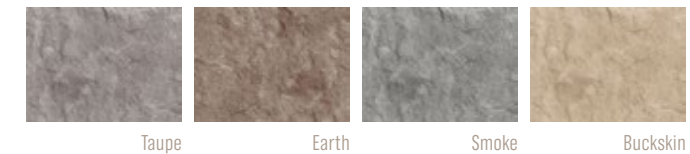


IT'S THE FINAL DETAILS that make an ordinary project an extraordinary one, and Eldorado Stone Architectural Accents are no exception to this philosophy. Each accent has been created by hand to meticulously emphasize unique color hues and detailed sculptural characteristics... the essence of true masonry craftsmanship.



Ashlar Accents

Ashlar Accents have been sculpted to create uniform edge details. The consistent shape simplifies the installation process, while providing the characteristics and texture of natural stone. Available in Taupe, Earth, Smoke & Buckskin.



Trim Stones
Approx. 2" thick.

Keystone & Archstone
Approx. 1.5" to 2" thick.

Keystone
Approx. 1.5" to 2.5" thick.

Cut Heads
Approx. 1.5" to 2.5" thick.

Rustic Wall Caps
Approx. 5.75" to 7" thick.
Available in 3 Sizes:
30" x 24"
24" x 24"
18" x 24"

Wall Caps
Approx. 5.75" to 6.5" thick.
Available in 2 Sizes:
20" x 12"
16" x 12"



Chiseled Edge Accents

Historically, masons have worked with natural stone to create unique accent pieces to finalize their projects. Chiseled Edge Accents feature a hand-dressed appearance with a uniform yet rustic detail. Available in Taupe, Earth, Smoke & Buckskin.



Wainscot Sill 90°
8"L (both exterior sides) × 3"D × 2"H (face) to 2.5"H (back)



Wainscot Sill 135°
7.5"L (both exterior sides) × 3"D × 2"H (face) to 2.5"H (back)



Wainscot Sill Straight
19.75"L × 3"D × 2"H (face) to 2.5"H (back)



Hearthstone
20"L × 20"D × 2"H



Peaked Wall Caps
Available in 2 sizes:
20" × 16" (2"H sides with a 3.5"H peak)
20" × 12" (2.375"H sides with a 3.5"H peak)



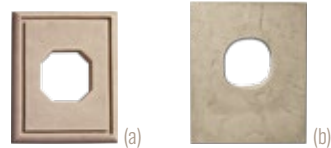
Textured Column Caps
Cap peak approx. 5.5"H.
Available in 3 sizes with or without hole:
26" × 26" (2.5"H sides)
22" × 22" (2.5"H sides)
18" × 18" (2.5"H sides)



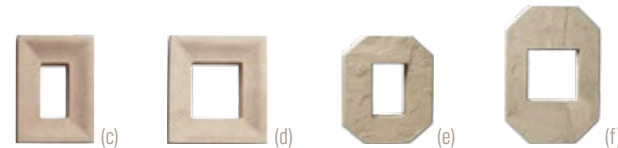
Column & Wall Caps
Column Caps approx. 2.5" thick. Available in 2 sizes:
30" × 24"
24" × 24"
Wall Caps approx. 2.25" thick. Available in 3 sizes:
37" × 12"
37" × 9"
37" × 6"

Utility Accents

Utility Accents create a simple yet decorative way of transitioning from the utility to the stone or brick veneer. Available in Taupe, Earth, Smoke & Buckskin (see colors above).



Lightboxes
Approx. 1.75" thick.
(a) 8" × 10"
(b) 9.5" × 11"



Electrical Boxes
(c) 6" × 8" (approx. 2" thick)
(d) 8" × 8" (approx. 2" thick)
(e) 8" × 8" (approx. 1.75" thick)
(f) 8" × 12" (approx. 1.75" thick)

Snapped-Edge Accents

Snapped-Edge Accents feature irregular edge details and random undulations that look as if they had been hand chiseled on location. Additionally, each accent features subtle yet contrasting color highlights on the surface and edge details for the ultimate natural appearance. Wainscot Sills have a recessed drip edge on the underside to prevent water from returning behind the stone or dripping onto the face of the stone wall. Available in Walnut, Pewter & Sand.



Column Caps
Available in 3 sizes:
24"L × 24"D × 1.5"H
22"L × 22"D × 1.5"H
18"L × 18"D × 1.5"H



Wall Caps
Available in 2 sizes:
24"L × 14"D × 1.5"H
18"L × 14"D × 1.5"H



Hearthstone
20"L × 20"D × 1.5"H



Wainscot Sill
19.75"L × 3"D × 1.5"H (face) to 2.5"H (back)

CraftShield™

Preserving the Art of Masonry. CraftShield is a protective treatment that preserves the intended artistry and beauty of architectural stone veneer while safeguarding the surface from nature's elements.

Designed for use on concrete and most masonry surfaces including Eldorado Stone and Eldorado Brick veneer, CraftShield goes on wet and dries invisible to the eye. It's low odor and alkaline-stable formula is ideal for both exterior and interior applications and offers 10-Year Protection to help resist staining, spalling, cracking and other damage related to water intrusion.



CraftShield
Gallon covers 150-200 sq. ft. of surface area





**Eldorado
Brick**

A CHUNK OF HISTORY™



Eldorado Brick isn't simply a great building material; it's a piece of history. Molded from centuries-old European dwellings, every Eldorado Brick has distinct earthen textures, irregular size dimensions, subtle color blends, and Old-World charm. With the ability to make you feel as if you have been transported to another time, the selection of Eldorado Brick brings the warmth and intrigue of history to any space.

ModenaBrick®



Cassis ModenaBrick

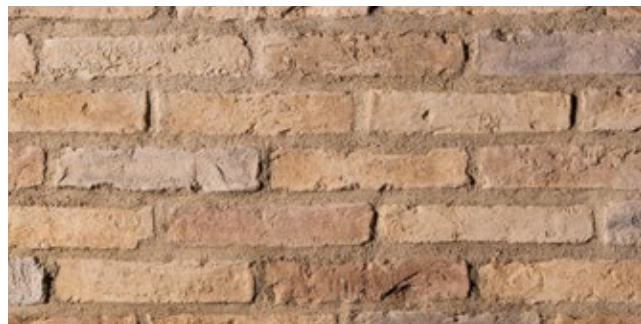
RomaBrick®



Bracciano RomaBrick

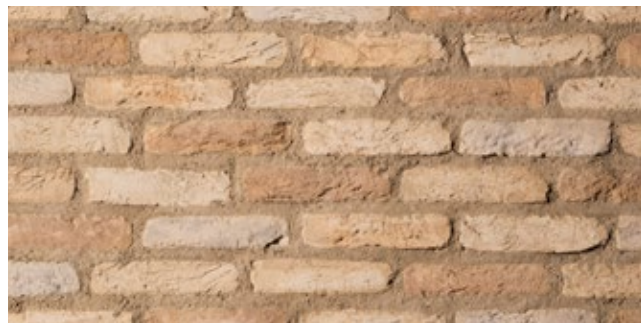


Brolio RomaBrick



Castello RomaBrick

ViaBrick®



Cortona ViaBrick



Bracciano RomaBrick (pg. 78) with a standard grout technique.

TundraBrick®



Ashland TundraBrick



Hartford TundraBrick



Riverbed TundraBrick





FIREPLACES FORGED WITH THE HERITAGE OF CRAFTSMANSHIP™



The fireplace is quite possibly one of the most dramatic spaces in any home. With the unique power to mesmerize, a fire draws us closer in to its warmth. Such beauty and drama beckons for an elegant frame. Eldorado Fireplace Surrounds are handcrafted to create a distinctive one-of-a-kind appearance, normally only found with natural carved limestone. Explore the stylistic array of surrounds, ranging from contemporary to traditional designs.

Eldorado Fireplace Surrounds



ELBORADO FIREPLACE SURROUNDS are designed to bring elegance and warmth to a variety of architectural styles. It all begins with a proprietary blend of limestone aggregates, minerals, natural pigments and special bonding agents. The material is hand applied layer by layer into the mold, creating natural color and texture variations, guaranteeing no two surrounds are exactly alike. Once the surround is removed from the mold, our skilled artisans hand-finish each piece through a four step finishing process. This one-of-a-kind process creates a highly authentic appearance which would normally only be found with natural carved limestone.

Eldorado Fireplace Surrounds are available in multiple colors and finishes including Honed, Travertine and the more distressed and aged color/finish Antique Castello. Eldorado artisans masterfully distress edge and surface details to recreate the weathered appearance of surrounds often found in classical architecture.



The Palacio in Antique Castello (pg. 90) installed with Eldorado Stone Lucera Hillstone (pg. 83) using an overgrout technique.



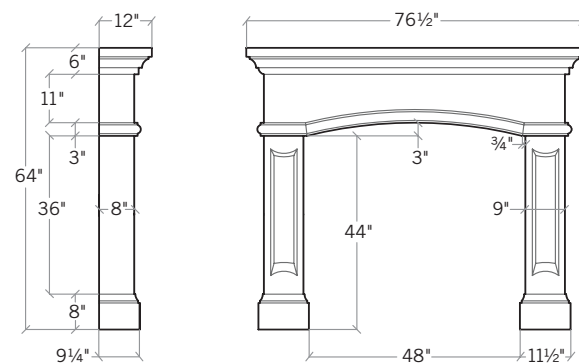


The Annalisa in Summer Wheat with a Honed Finish.

THE ANNALISA™

12"b × 76.5"w × 64"h

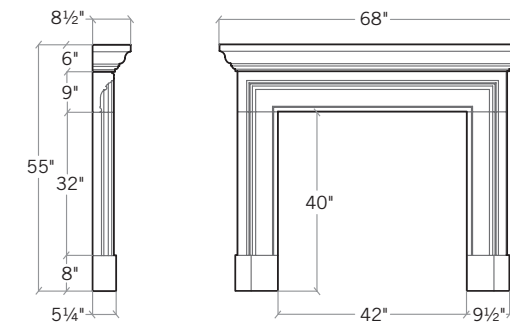
Elegance and beauty adorn The Annalisa with its gently sloping arch and detailed carvings. Its scale is designed for larger rooms, perfectly suited for elegant and casual settings alike.



THE BRYANT™

8.5"b × 68"w × 55"h

The Bryant is an elegant surround that transcends all design styles with multiple layers of intricate yet linear carvings. The base blocks further enhance its stature and solid stance.

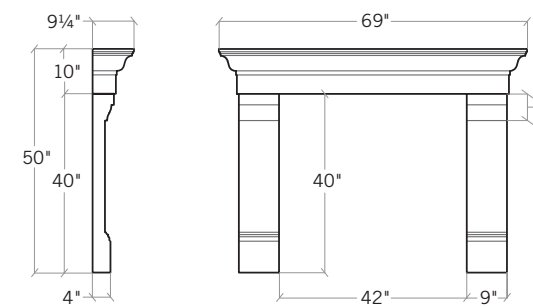


The Bryant in Summer Wheat with Travertine Finish.

THE FLORENTINA™

9.25"b × 69"w × 50"h

The simple and classical shape creates the perfect frame for a wide variety of fireplace settings. The 9" mantel depth provides ample area to stylize to your specific interior design.

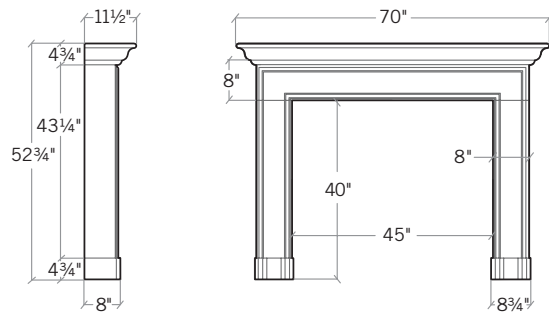


The Florentina in Summer Wheat with Travertine Finish.

THE CARMELA™

11.5" d × 70" w × 52.75" h

The Carmela is layered with visual interest beginning with its plinth block foundation and linear legs framed with a unique bull nose detail. The 11.5" depth mantel provides ample space for decor.



The Carmela in Oak Barrel with Honed Finish.

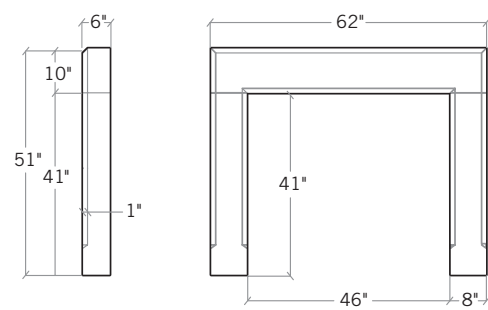


The Dylan in Aged Teak with Honed Finish.

THE DYLAN™

6" d × 62" w × 51" h

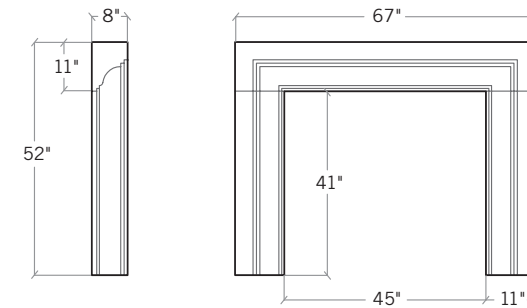
The modern sophistication of The Dylan is evident with its extremely clean lines. The surrounding beveled edges create a distinctive architectural detail.



THE GIADA™

8" d × 67" w × 52" h

The pleasing blend of clean lines and finite details invite this surround into both contemporary and transitional settings. The 8" monolithic depth gives way to the deeply carved and symmetrical properties.

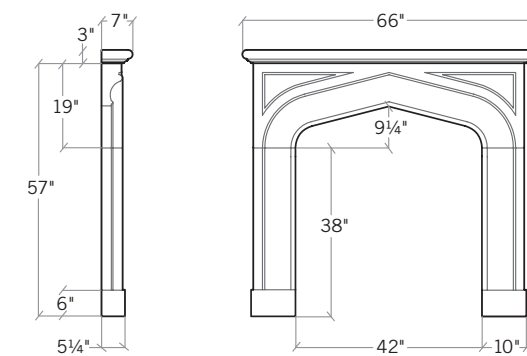


The Giada shown in Oyster Shell with Travertine Finish.

THE MARRAKESH™

7" d × 66" w × 57" h

The intricate carvings and vaulted opening of The Marrakesh engages the architectural vernacular of both Spanish Revival and elements of Moorish influence.



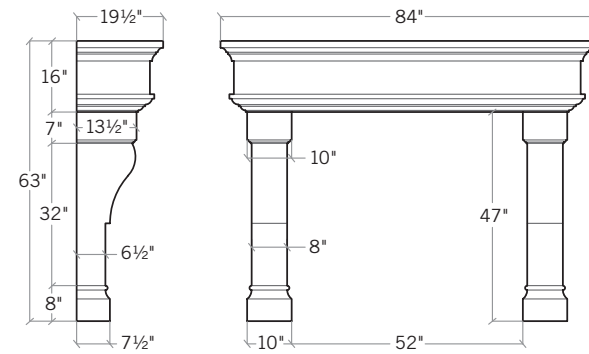
The Marrakesh shown in Oak Barrel with Travertine Finish.



THE PALACIO™

19.5" D × 84" W × 63" H

The grand form of The Palacio will draw you closer with its impressive size and bold stature. The commanding presence will easily become the focal masterpiece of any luxurious space.

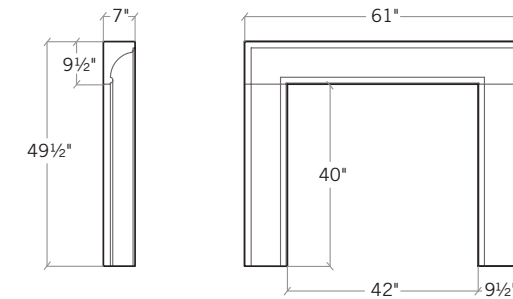


The Palacio shown in Antique Castello.

THE SOHO BOUTIQUE™

7" D × 61" W × 49.5" H

The Soho Boutique is smaller in scale, yet its clean lines imply a sense of luxury and timeless style.



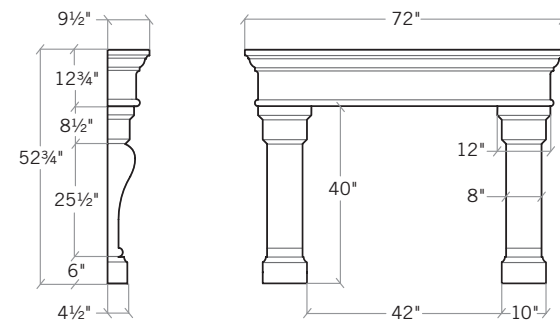
The Soho Boutique shown in Summer Wheat with Honed Finish.



THE SOFIA™

9.5" D × 72" W × 52.75" H

The understated elegance of The Sophia combines both straight lines and flowing curves. The long-established shape works well with traditional settings.

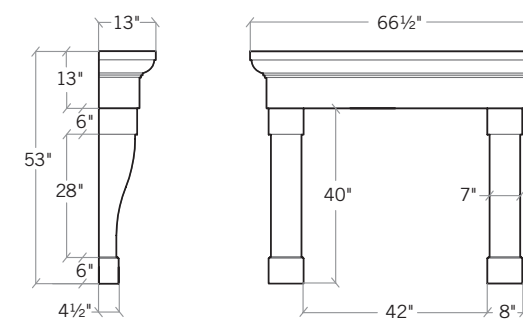


The Sofia shown in Summer Wheat with Honed Finish.

THE VALENTINA™

13" D × 66.5" W × 53" H

The Valentina will invite a sense of rustic Italian charm into any home. The robust 13" deep mantel paired with two gently sloping pilasters complete its bold presence.



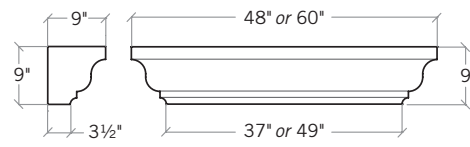
The Valentina shown in Antique Castello with Travertine Finish.

Mantel Shelves



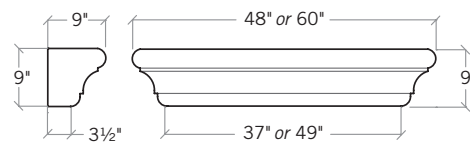
THE ANGELO™

Sweeping curves make this shelf an elegant mantel to grace the walls of any home. 9" h x 9" d in either 48" or 60" lengths. Available in all colors and finishes.



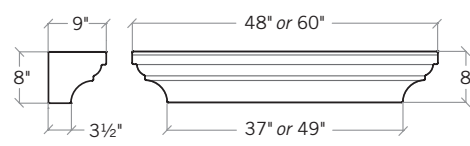
THE CARLOTTA™

Rounded corners and long curves create a classic yet distinct mantel. 9" h x 9" d in either 48" or 60" lengths. Available in all colors and finishes.



THE MARTINO™

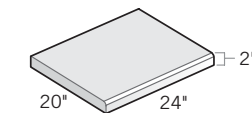
Strong lines and crisp curves make this versatile shelf especially stunning in a modern home. 8" h x 9" d in either 48" or 60" lengths. Available in all colors and finishes.



The Carlotta in Oak Barrel with Travertine Finish.

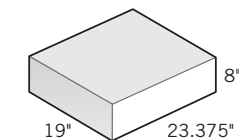


Hearth Stones & Riser Blocks



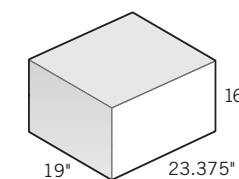
Hearth Stones

20" \times 24" \times 2" each
Available in all the Eldorado Fireplace Surround colors and finishes. Sold in sets of three with one left, center & right stone and also individually (single center stone).



8" Hearth Riser Blocks

19" \times 23.375" \times 8" each
Available in all the Eldorado Fireplace Surround colors and finishes. Sold in sets of three or individually. Finishes hearth at 10" high with hearth stones; may be trimmed to accommodate shorter heights.



16" Hearth Riser Blocks

19" \times 23.375" \times 16" each
Available in all the Eldorado Fireplace Surround colors and finishes. Sold in sets of three or individually. Finishes hearth at 18" high with hearth stones; may be trimmed to accommodate shorter heights.

The Sofia in Summer Wheat with Travertine Finish (pg. 90) shown with Hearth Stones & 8" Hearth Riser Blocks (also utilizing provided trim panels).



THE BUILDING BLOCKS FOR LUXURY OUTDOOR SPACES™



There's nothing quite like the pleasure of gathering friends and family in your own luxurious outdoor living space. With Eldorado Outdoor, there are a number of ways to create your very own personal retreat ranging from elegant fire bowls to inviting seating walls to beautiful outdoor kitchens. Eldorado Outdoor seamlessly marries design with functionality making it easier than ever to create your memorable space.

**Eldorado
Outdoor**

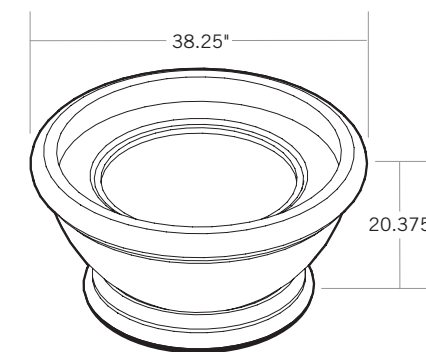
Artisan Fire Bowls



WARMTH, STYLE & AMBIANCE. Eldorado Fire Bowls bring a heightened level of design and elegance to any outdoor space. Made from strong, glass-fiber reinforced concrete and hand-sanded through a four-step finishing process. Each Artisan Fire Bowl renders a true one-of-a-kind creation with subtle variations in color and texture similar to natural limestone. Fire Bowls ship complete with lava rock and certified CSA components for natural gas or liquid propane. Choose from four colors in either Honed or Travertine finishes.



The Marbella in Oak Barrel Travertine.



Marbella™

38.25" w × 20.375" h

The Marbella bowl captures the essence of the Romanesque period. Its gently rounded bull nose and elegant foundation are hand-sanded, creating the natural feel and texture of limestone. The Marbella is perfect for a variety of traditional landscape settings.

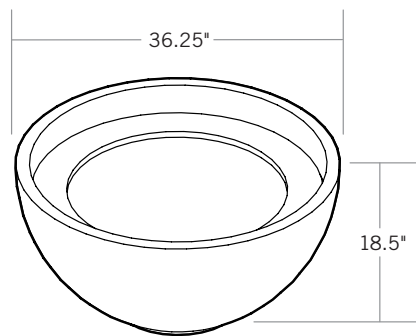


The Infinite in Aged Teak Honed.

Infinite™

36.25" w × 18.5" h

As the name implies the Infinite is limitless in its design applications. The simple yet elegant shape will naturally draw attention for its style and inviting warmth. Perfect for both residential and commercial applications, Infinite can change appearance from modern to traditional by simply selecting the weathered & textured Travertine finish.



The Infinite in Oyster Shell Honed.

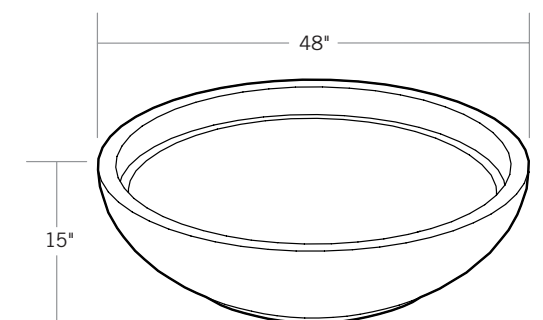


Visit the Artisan Fire Bowl
video gallery online at
eldoradostone.com/artisanbowls

Mezzaluna™

48" w × 15" h

In a busy world, we create sanctuaries to provide a tranquil retreat. The Mezzaluna Artisan Fire Bowl, made from natural materials and hand finished to produce the look and soft feel of limestone, calms any space with its graceful stance and sweeping arc design.



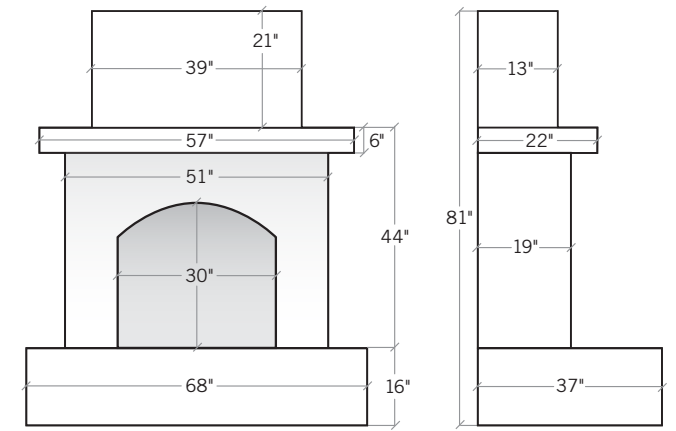
The Mezzaluna in Oyster Shell Honed.

Fireplaces & Fire Pits

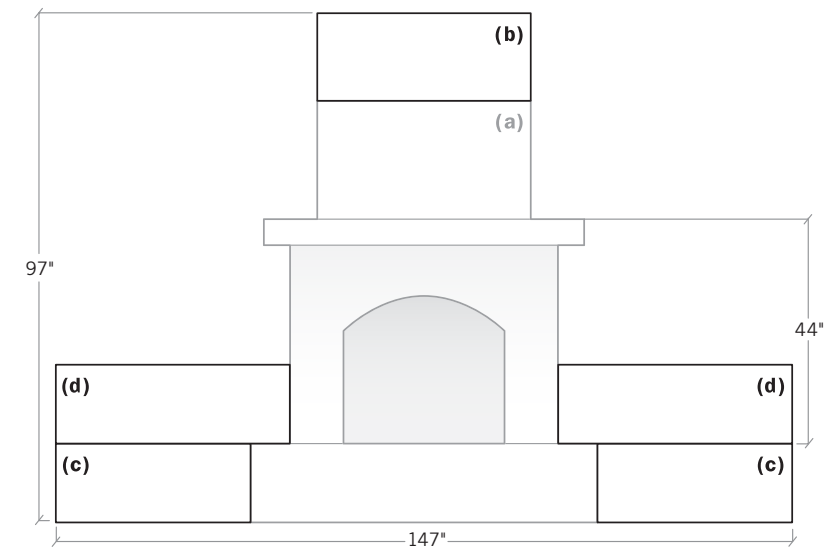


INVITING FIRESIDE CHATS. Sitting fireside in your backyard has never been easier. Choose from our factory pre-scratched Gas-Burning Fireplace and Fire Pit. Each Fireplace and Fire Pit are ready to be dressed with Eldorado Stone or Brick for the ultimate masonry appearance.

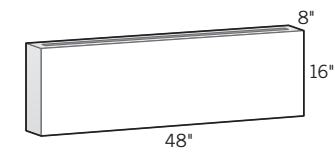
Gas-Burning Fireplace



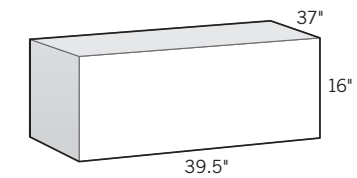
Gas-Burning Fireplace
37" D × 68" L × 81" H • OLPLSF01



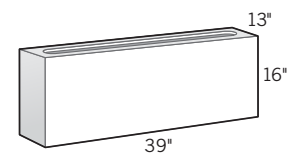
Gas-Burning Fireplace Extensions
(a) Gas-Burning Fireplace OLPLSF01 • (b) Chimney Extension OLPLSF02
(c) Hearth Extension OLPLSF03 • (d) Hearth Extension Backrest OLPW81648



**Gas-Burning Fireplace
Hearth Extension Backrest**
8" D × 48" L × 16" H • OLPW81648

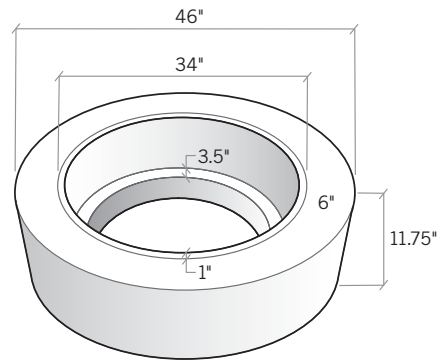


**Gas-Burning Fireplace
Hearth Extension**
37" D × 39.5" L × 16" H • OLPLSF03



**Gas-Burning Fireplace
Chimney Extension**
13" D × 39" L × 16" H • OLPLSF02

Gas-Burning Fire Pit



Fire Pit
46" DIAMETER × 11.75" H • OLPLSFP48



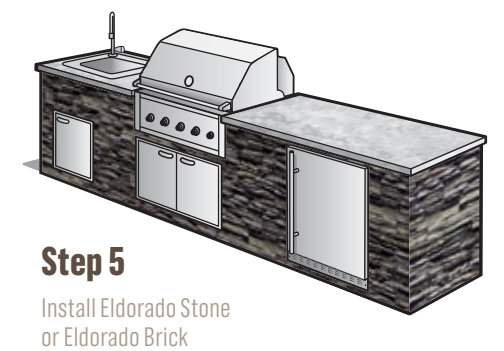
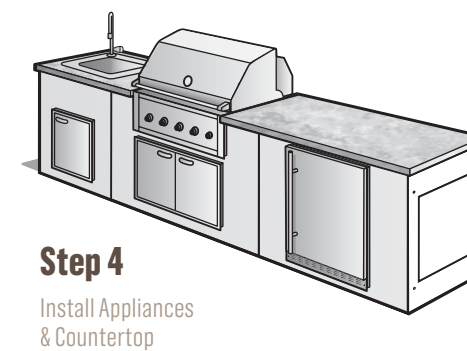
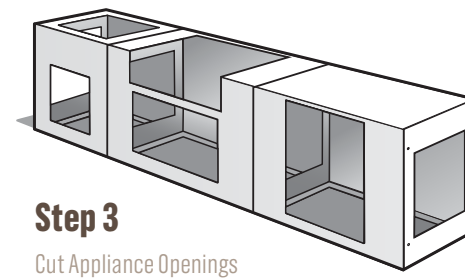
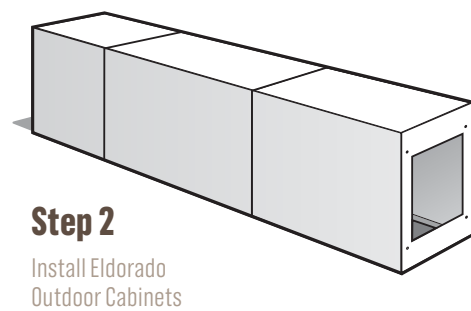
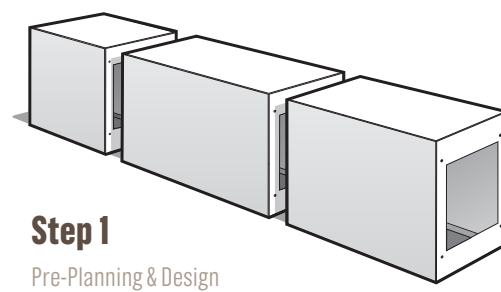
Custom Coastal Ledge (pg. 63) with a dry-stack grout technique.

OUTDOOR LUXURY MADE SIMPLE, IN JUST 5 STEPS!

ELDORADO OUTDOOR has redefined how to build outdoor living spaces with a collection of strong, yet lightweight building blocks. The blocks quickly assemble into custom barbecue islands, kitchen counters, fireplaces, fire pits and more—ready to be dressed with Eldorado Stone and Brick within hours.



The Metropolitan Signature Kitchen (pg. 116) installed with Black River Stacked Stone (pg. 57).



Cabinets & Accessories

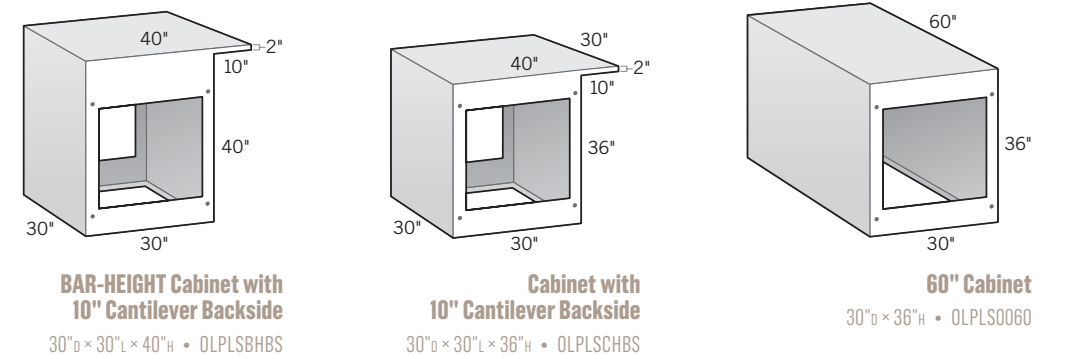
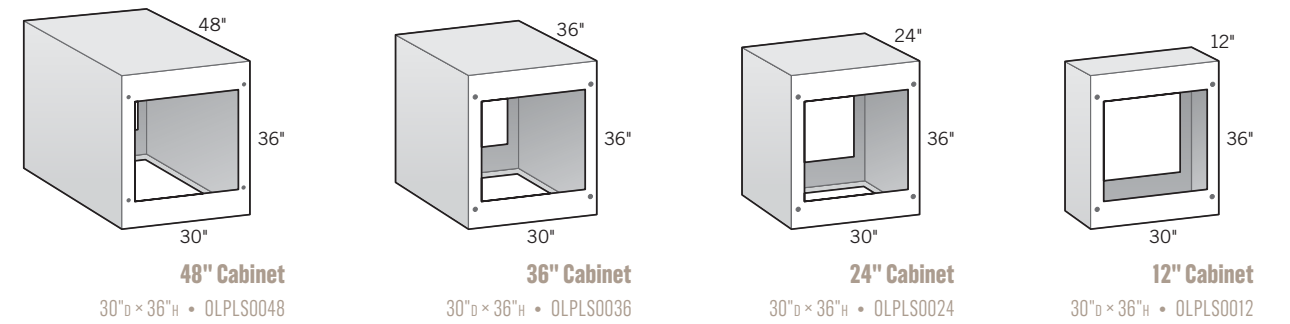


THE BUILDING BLOCKS. Eldorado Outdoor products quickly assemble into a virtually limitless combination of configurations. Each piece is made of glass-fiber reinforced concrete (GFRC) which can be installed on any solid flooring surface without concrete footings or rebar.

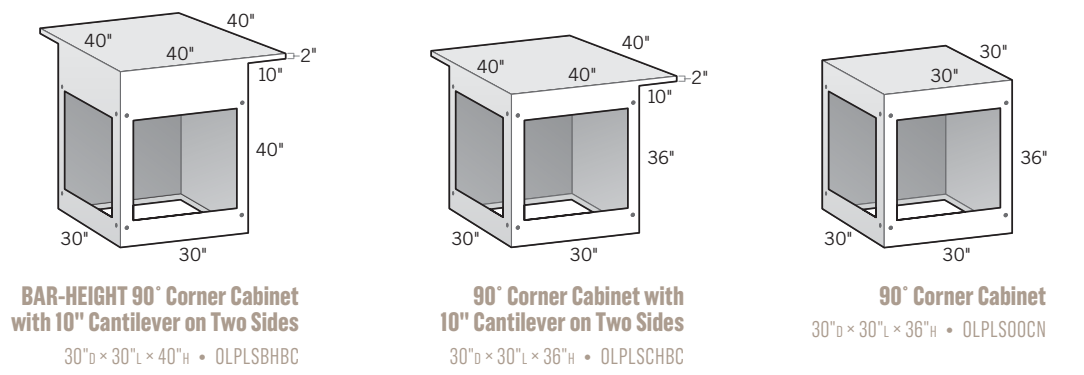
Eliminated is construction waste and additional time associated with traditional masonry block installations. Eldorado Outdoor products can be assembled in just hours; even cut-outs for custom features such as barbecues, sinks, drawers and burners can be done on-site.



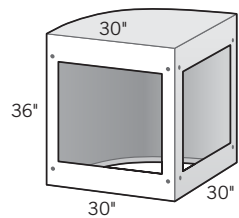
Straight (Linear) Cabinets



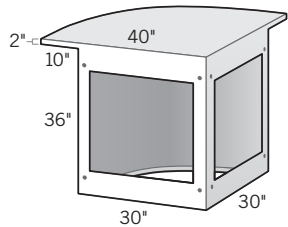
90° Corner Cabinets



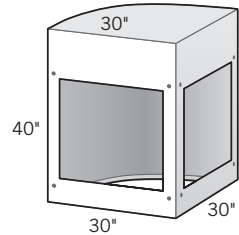
90° Radius Corner Cabinets



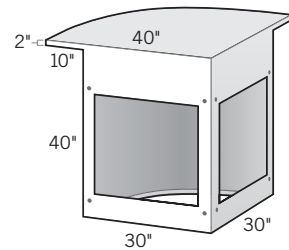
90° Radius Corner Cabinet
30" d × 30" L × 36" H • OLPLSOCHR



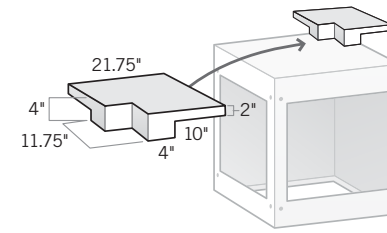
90° Radius Corner Cabinet with 10" Cantilever
30" d × 30" L × 36" H • OLPLSCHRC



BAR-HEIGHT 90° Radius Corner Cabinet
30" d × 30" L × 40" H • OLPLSOBHR

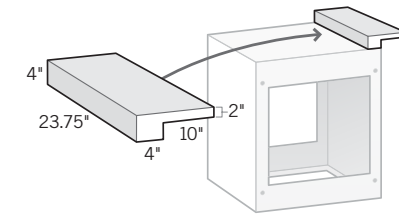


BAR-HEIGHT 90° Radius Corner Cabinet with 10" Cantilever
30" d × 30" L × 40" H • OLPLSBHRC



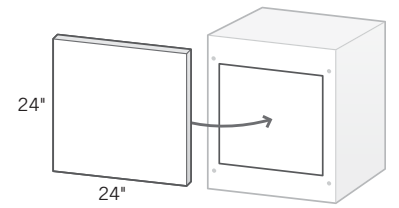
Corner Raised Backsplash
OLPLSBCRN

Creates 4" high raised corner backsplash with 10" cantilever; connects to Straight Raised Backsplash for L-shaped configurations. Requires 2 bolts for mounting (not included).



Straight Raised Backsplash
OLPLSBSTR

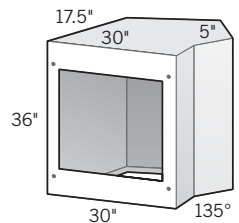
Creates 4" high raised backsplash (23.75" long) with 10" cantilever and 14" counter surface. Requires 3 bolts for mounting (not included).



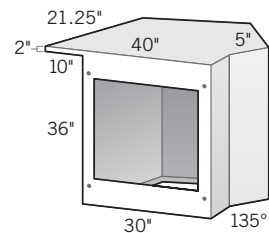
Cabinet End Cap

24" × 24" sq • OLPLSECAP
End Caps complete the installation by closing off openings on either end of assembled island.

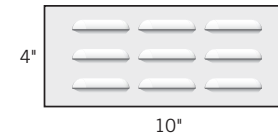
135° Corner Cabinets



135° Corner Cabinet
30" d × 36" H • OLPLSCH45

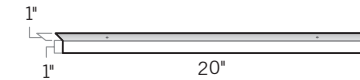


135° Corner Cabinet with 10" Cantilever
30" d × 36" H • OLPLSCC45



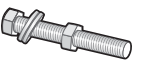
Vent
O1000VENT

Vents are recommended by many barbecue appliance manufacturers when installing gas appliances into a closed cabinet.



Appliance Bracket Set
OLPLSAB02

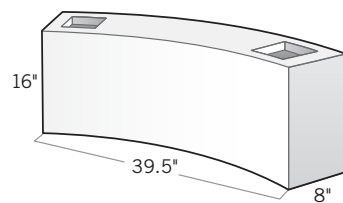
Includes 2 brackets & screws for use with drawers, doors, etc. Works with flanges to secure items in cabinet cut-outs.



Fastener Set
OLPLSF004

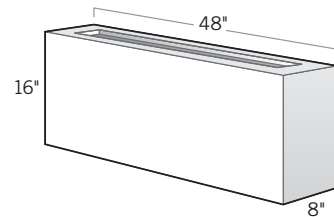
Includes 4 nuts, 4 bolts & 8 washers. One fastener set is required to secure two cabinets.

Walls & Columns



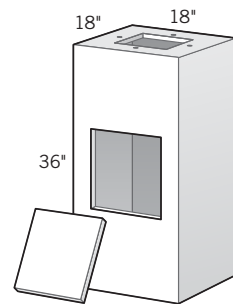
Curved Seating Wall (1/2 Circle)

8" d × 39.5" L × 16" H • OLPW81640
Curved seating wall is designed with a 51" radius from the center point to the inside edge, perfect for pairing with our round fire pit.



Straight Seating Wall

8" d × 48" L × 16" H • OLPW81648
Create seating walls in hours vs. days. Finish with Eldorado Stone & Wall Caps for an authentic masonry appearance.



Column with End Cap

18" d × 18" L × 36" H • OLPLS1836
Instantly build perfect stone or brick columns. Column ships with access panel. Designed with top and bottom flange for attaching masonry anchor or bolting.

Design the ultimate outdoor retreat with the Eldorado Outdoor Design Tool. Create an outdoor kitchen, fireplace, fire pit or seating area. Visit: eldoradostone.com/outdoor/tool



Signature Kitchens™

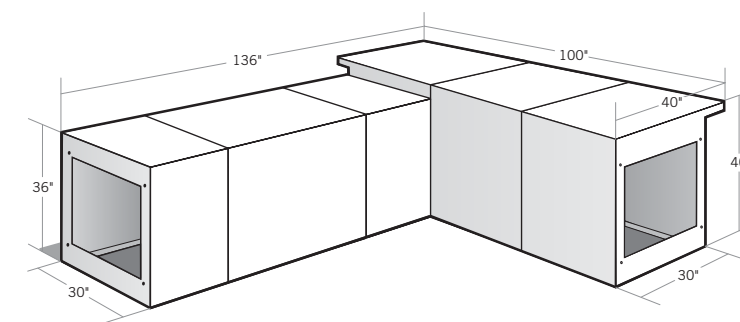


PRE-DESIGNED, READY TO INSTALL. Signature Kitchens allow you to construct the perfect outdoor kitchen in days vs. weeks. Each kitchen has been pre-designed to fit a variety of size and style configurations and ship complete with all necessary cabinets, bolts and end-caps. To further simplify your order, you can select from eight of Eldorado Stone's most popular stone profiles. Finalize your outdoor design by selecting the appliances and countertop material of your choice.

Countertops & appliances are not sold through Eldorado Outdoor.



The CoastalRanch Signature Kitchen installed with Eldorado Stone Veneto Fieldledge (pg. 49).



CoastalRanch™

- Includes:**
- 2 Qty. 24" Straight Cabinets
 - 1 Qty. 48" Straight Cabinet
 - 1 Qty. Bar-Height 90° Corner Cabinet with 10" Cantilever
 - 2 Qty. Bar-Height Cabinet with 10" Cantilevers
 - 2 Qty. Cabinet End Caps
 - 5 Qty. Fastener Sets
 - 2 Qty. Vents

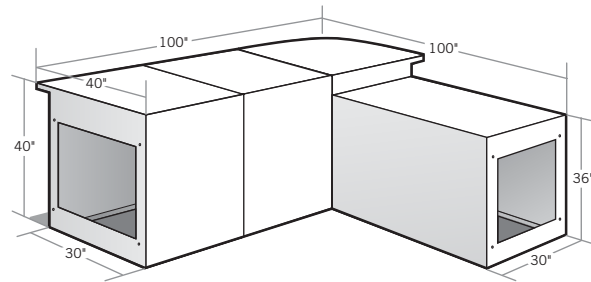


The Carolina Signature Kitchen installed with Eldorado Stone Manzanita Cliffstone (pg. 47).

Carolina™

Includes:

- 1 Qty. 60" Straight Cabinet
- 1 Qty. Bar-Height 90° Radius Corner Cabinet with 10" Cantilever
- 2 Qty. Bar-Height Cabinet with 10" Cantilever
- 2 Qty. Cabinet End Caps
- 3 Qty. Fastener Sets
- 2 Qty. Vents

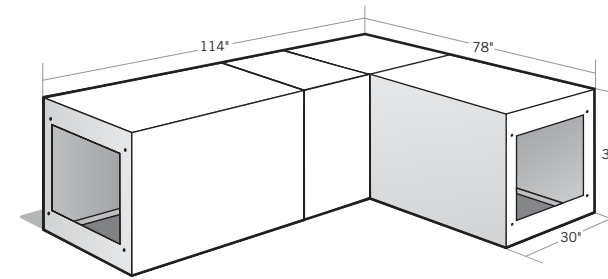


The ParkView Signature Kitchen installed with Eldorado Stone Autumn Leaf RoughCut (pg. 54).

ParkView™

Includes:

- 1 Qty. 24" Straight Cabinet
- 1 Qty. 48" Straight Cabinet
- 1 Qty. 60" Straight Cabinet
- 1 Qty. 90° Corner Cabinet
- 2 Qty. Cabinet End Caps
- 3 Qty. Fastener Sets
- 2 Qty. Vents

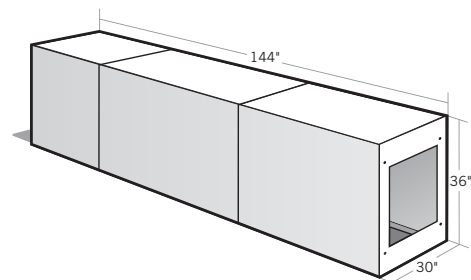


The Metropolitan Signature Kitchen installed with Eldorado Stone Black River Stacked Stone (pg. 57).

Metropolitan™

Includes:

- 1 Qty. 36" Straight Cabinet
- 1 Qty. 48" Straight Cabinet
- 1 Qty. 60" Straight Cabinet
- 2 Qty. Cabinet End Caps
- 2 Qty. Fastener Sets
- 2 Qty. Vents

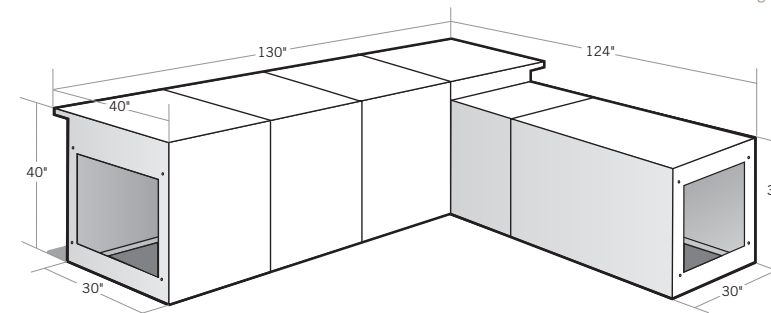


The Sierra Signature Kitchen installed with Eldorado Stone Sierra Mountain Ledge (pg. 51).

Sierra™

Includes:

- 1 Qty. 24" Straight Cabinet
- 1 Qty. 60" Straight Cabinet
- 1 Qty. Bar-Height 90° Corner Cabinet with 10" Cantilever
- 3 Qty. Bar-Height Cabinet with 10" Cantilevers
- 2 Qty. Cabinet End Caps
- 5 Qty. Fastener Sets
- 2 Qty. Vents



Eldorado Profile Sizes *Sizes are nominal ranges. Actual sizes may vary slightly.

STONE	HEIGHT	LENGTH	THICKNESS	PAGES
Ashlar	4" - 12"	11" - 26"	.625" - 3"	45
Bluffstone	1" - 5.5"	4" - 22"	1.375" - 3.5"	46, 59
Broken Top	1.5" - 10.25"	3.25" - 21.75"	1.25" - 3.125"	69
Castle Stone	4" - 14"	5" - 17"	1.5" - 2"	59
Cliffstone	1.25" - 6"	4" - 22"	1" - 2"	47, 59, 69
Coarsed Stone	11.75"	12", 18", 24", 30"	1.5"	63
Coastal Ledge	1" - 4"	4" - 24"	1" - 2.75"	63
Coastal Reef	4" - 12"	4" - 16"	1" - 1.5"	45
Cobblestone	2.5" - 12"	4" - 21"	1.875" - 2.75"	63, 69
Country Rubble	2" - 18"	4" - 18"	1" - 2.5"	48, 59, 63
Cut Coarse Stone	3", 6", 9"	12", 18", 24"	.75" - 2.5"	45
Cypress Ridge	1.25" - 18"	4" - 24"	1" - 3.5"	48
European Ledge Single Stone	1.5"	11"	.75" - 2.125"	52
European Ledge Panel	4.5"	24"	.75" - 2.25"	52
Field Ledge	1.5" - 15"	5" - 18"	1.25" - 1.5"	49, 63
Hillstone	1" - 12"	3" - 18"	1" - 3.25"	49, 64
Ledge Cut 33	3"	12", 18", 24"	.75" - 2"	52, 64
Limestone	2.25" - 8"	3.5" - 17"	1" - 2.5"	50, 60, 64, 69
Marquee Limestone	12"	24"	1"	53
Mountain Ledge	1" - 4"	4" - 18"	1" - 3.5"	51, 60, 65, 69
Mountain Ledge Panels	5"	8", 12", 20"	1" - 2.5"	50, 70
River Rock	1.5" - 15"	3" - 18"	2" - 3.5"	54
Rough Cut	2" - 11"	2" - 18.375"	1.5" - 2.5"	54, 61, 70
Rustic Ledge	1" - 5"	6.5" - 20"	1" - 2.5"	55, 65
Shadow Rock	2" - 10"	5" - 24"	2" - 3.5"	56, 61
Stacked Stone	4"	8", 12", 20"	.625" - 2"	57, 61, 66, 70
Top Rock	2" - 20"	5" - 24"	1" - 2.75"	55
Weather Edge	1.25" - 8"	5" - 25"	1" - 3.5"	61, 66
ADOBE				
Camino Adobe	5"	15.5"	1.375" - 1.5"	67
Capistrano Adobe	3.5"	15"	1.25"	67
BRICK				
Modena Brick	2.5"	8"	.75" - .875"	78
Roma Brick	1.5" - 2"	9" - 10.25"	1.125" - 1.25"	78
Tundra Brick	2.5"	7.875"	.875"	79
Via Brick	1.25" - 1.75"	7" - 7.25"	.875"	78



© 2015 Eldorado Stone, LLC
031015

Bronze Shadow Rock (pg. 56) with a dry-stack grout technique.

Because Eldorado Stone replicates natural stone, variations should, and can be expected. Even though colors in this brochure are as close to the actual stone as possible, photographic and printing techniques — and actual viewing conditions — can alter perception of color. It is recommended to obtain a sample of Eldorado Stone before placing an order.

If you would like more information on prices, availability of stone, the name of your local distributor, or answers to any questions not covered in this brochure, please contact us. We would be happy to assist you with your stone building plans. Detailed installation instructions, specifications, technical information and test data is available upon request.

800.925.1491 eldoradostone.com

Please join us on:



A HEADWATERS COMPANY